

VIII, VIIS Spouts



13-5

SPOUT ASSEMBLIES


Spout assemblies.

- Aluminum Spout Bushing.
- Flow stop device.
- Reduces rounding in of spout.
- Retains spout spring.
- Shuts off flow when spout is raised above horizontal.

High Flow/High Volume Spout Assemblies

MODEL NO.	DESCRIPTION	SHIPPING WEIGHT LBS (KG)
002279	VIII, VIIS Spout Assembly with Spout Bushing	.9 (.41)
003589	VIII, VIIS Long Spout Assembly without Spout Bushing	1.0 (.45)
004889	1690 High-Volume Spout Assembly without Shear Groove (USA)	.5 (.23)
005017	VIII, VIIS Spout Assembly without Spout Bushing	.9 (.41)
005042	1691 High-Volume Spout Assembly with Shear Groove (Canada)	.5 (.23)
005215	1HS, 1GS Spout Assembly	.4 (.18)
007218	VIII, VIIS Long Spout Assembly with Spout Bushing	1.0 (.45)



 WARNING: Cancer and Reproductive Harm - www.P65Warnings.ca.gov

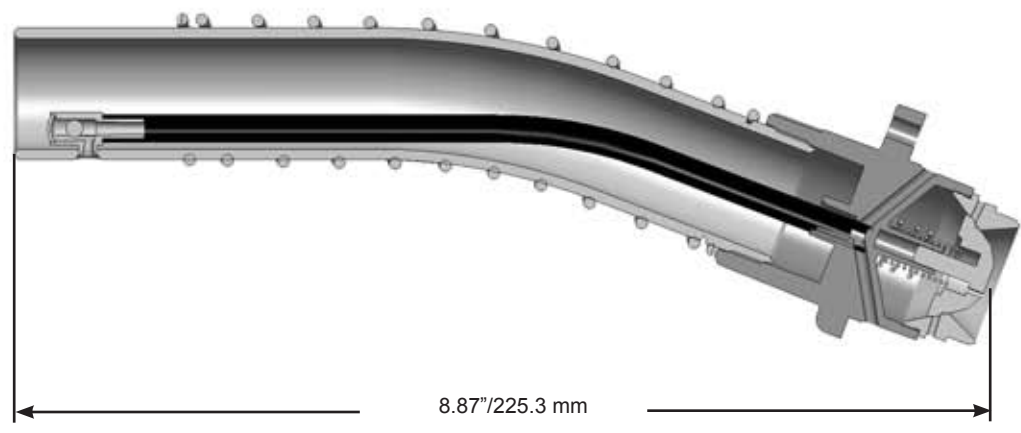
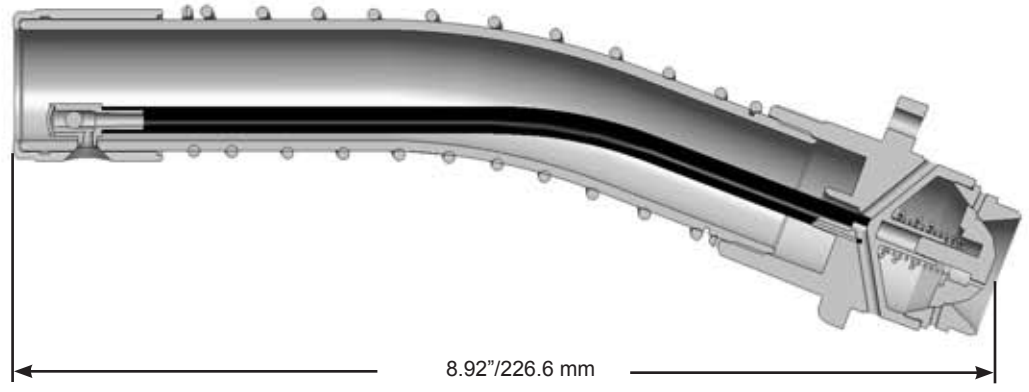


VIII, VIIS Spouts

Spout assemblies.

Dimensions

High Flow/High Volume Spouts



2325 Husky Way • Pacific, MO 63069
 (800) 325-3558 • Fax (636) 825-7300
www.husky.com • sales@husky.com

MADE IN THE U.S.A.